

## Water Cooled

### Water-Cooled Air Conditioners



**33WC**  
4000 BTU/Hr.  
(1172 Watt) Models



**CR43WC**  
8000 BTU/Hr.  
(2345 Watt) Models



**LB11WC**  
4000 BTU/Hr.  
(1172 Watt) Models

#### Industry Standards

UL/cUL Listed or UR/cUR Recognized, CE, others available upon request

- Type 12 on 33 water-cooled models
- Type 4/4X stainless steel option on CR water cooled models

#### Application

- Industrial automation
- Package handling equipment
- Food and beverage
- Wastewater treatment
- Security and defense systems
- Pulp and paper
- And more

#### Features

- Robust reciprocating compressor
- R134a earth-friendly refrigerant and RoHS compliant
- Models for 115 and 230 AC volt power input
- UL Listed or Recognized to save customers time and money with agency approvals
- Operating temperature range from 50 F/10 C to 125 F/52 C
- Attractive industrial design with minimal use of visible fasteners
- Reliable mechanical thermostat located behind the front panel of the unit
- Low-carbon mild-steel sheet-metal cover for rugged factory and outdoor environments

- Easy-mount flanges for simple installation
- Mounting hardware, gaskets and user manual furnished with the unit
- Every unit functionally tested before shipping
- Heat is removed from the system by means of the water cooling the refrigerant. No external air movers or condenser coils to get clogged.
- Maximum water usage of 2 GPM at 90 F water intake temperature
- Standard Indoor Air Conditioner models also include:
  - Electro-Mechanical Thermostat
  - Surge Suppressor

#### Finish

- ANSI 70 gray powder-coat paint in a semi-gloss finish
- Stainless steel Type 304 or 316 finishes available on Type 4X models
- Other colors and textures available

#### Options

- Thermostat Malfunction Package
- Special Voltage Package
- Active Condensate Evaporator Package
- Harsh Environment Package\*
- Stainless Steel Package\*
  - \* Consult the factory for availability and catalog number.

#### Notes

Visit [www.McLeanCoolingTech.com](http://www.McLeanCoolingTech.com) to download 2D and 3D CAD drawings into the overall design of your electronic system.

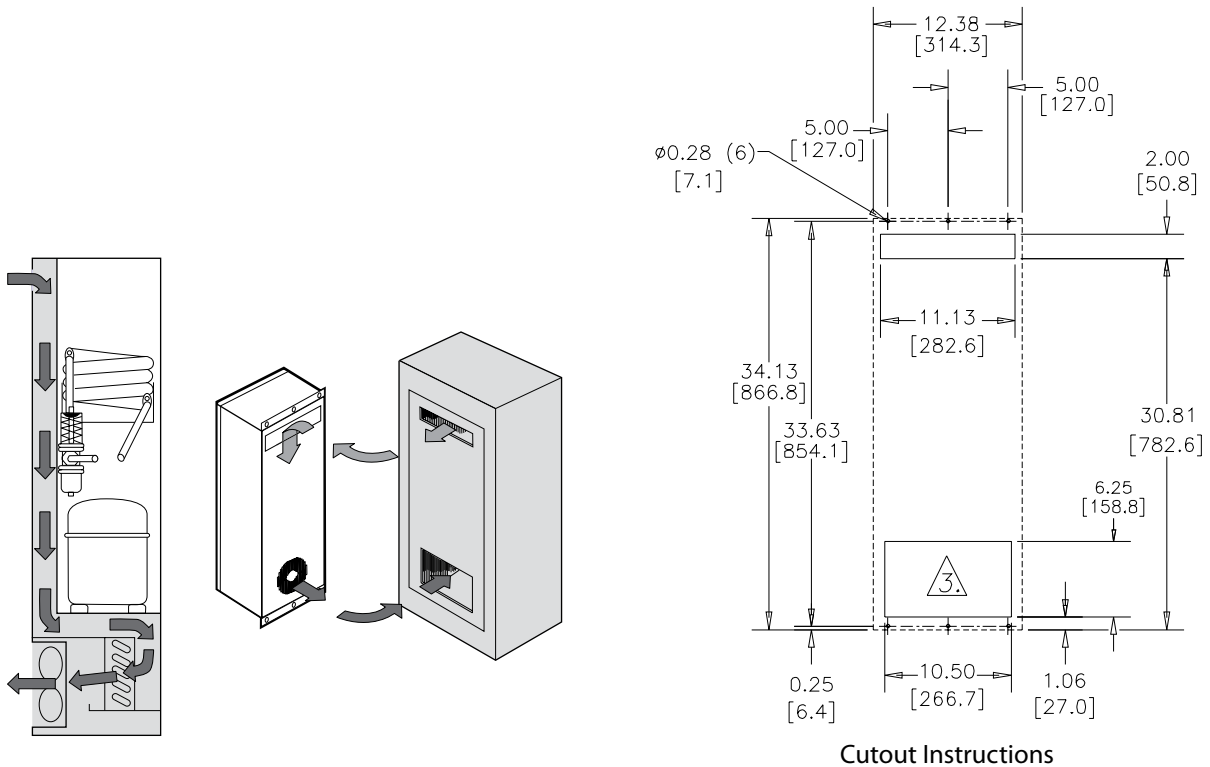
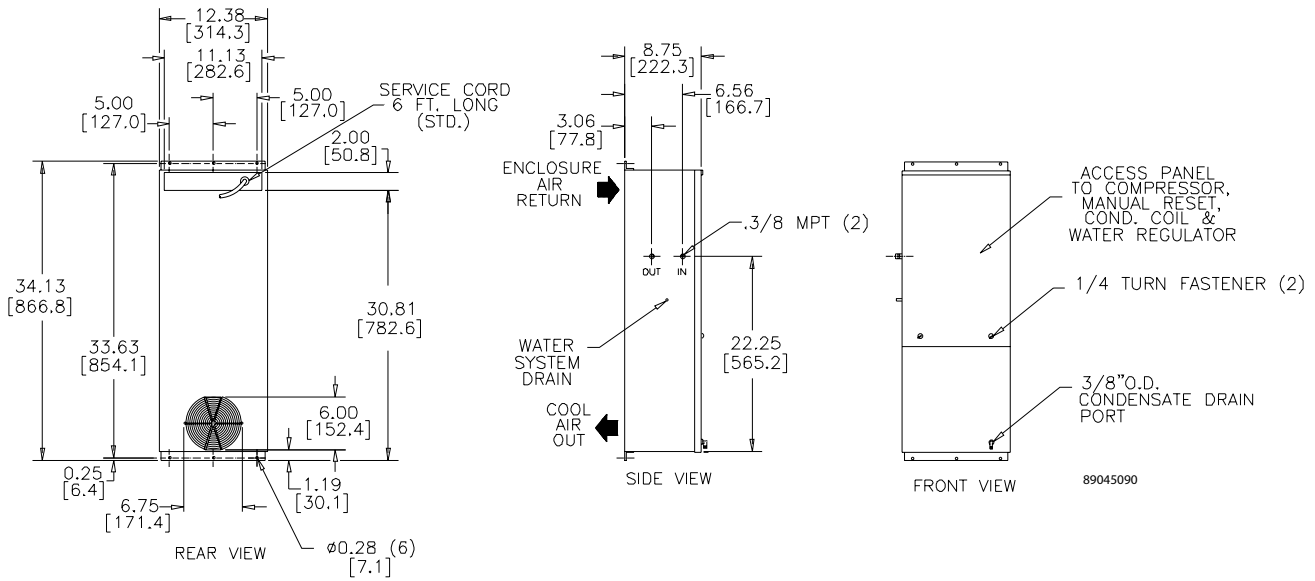
## Water Cooled

 Performance Data **33WC Models 4000 BTU/Hr. (1172 Watt)**

MODEL NUMBER	33-0416-GW010	33-0426-GW014	33-0426-GW012
<b>COOLING PERFORMANCE</b>			
Nominal:			
<b>BTUs/Hr.</b>	<b>3800/4000</b>	<b>3800/4000</b>	<b>3800/4000</b>
<b>Watts</b>	<b>1113/1172</b>	<b>1113/1172</b>	<b>1113/1172</b>
Refrigerant	R-134A	R-134A	R-134A
Refrigerant Charge (ounces/grams)	7/198	7/198	7/198
Operating Temperature Range:			
Maximum (°F/°C)	125/52	125/52	125/52
Minimum (°F/°C)	50/10	50/10	50/10
Air Flow at 0 Static Pressure:			
Internal loop 50 Hz (CFM/M <sup>3</sup> /Hr.)	135/229	100/170	100/170
External loop 50 Hz	WATERFLOW: 0.5 GPM @ 90 F	WATERFLOW: 0.5 GPM @ 90 F	WATERFLOW: 0.5 GPM @ 90 F
Internal loop 60 Hz (CFM/M <sup>3</sup> /Hr.)	145/246	110/187	110/187
External loop 60 Hz	WATERFLOW: 0.5 GPM @ 90 F	WATERFLOW: 0.5 GPM @ 90 F	WATERFLOW: 0.5 GPM @ 90 F
<b>ELECTRICAL DATA</b>			
<b>Rated Voltage</b>	<b>115</b>	<b>220/230</b>	<b>460V 1PH</b>
Frequency (Hz)	50/60	50/60	50/60
Operating Range	+/- 10%	+/- 10%	+/- 10%
Max. Power Consumption (Watts at 50/60 Hz)	600/667	726/736	828/782
Max. Nominal Current (Amps at 50/60 Hz)	6.0/5.8	3.3/3.2	1.8/1.7
Starting Current (Amps)	28	14.4	7.4
Agency Approvals	cUL Listed CE	cUL Listed CE	cUR Recognized CE
Power Input Description	NEMA 5-15 plug on 6-ft. cord	NEMA 6-15 plug on 6-ft. cord	6-ft. cord with wire terminations
<b>ENCLOSURE PROTECTION</b>			
UL Type	Type 12 Standard		
<b>CONTROLLER</b>			
Description	Basic Mechanical Thermostat		
Thermostat Location	Behind Front cover		
Factory Thermostat Setting (°F/°C)	80/27		
<b>SOUND LEVEL</b>			
At 1.5 Meters	61 dBA		
<b>UNIT CONSTRUCTION</b>			
Material	Mild Steel Sheet Metal Standard Stainless Steel Optional		
Finish	Powder Coat RAL 7042 Gray Standard		
<b>UNIT DIMENSIONS</b>			
Height (in./mm)	34.13/867	34.13/867	38.63/981.2
Width (in./mm)	12.38/314	12.38/314	12.38/314
Depth (in./mm)	8.75/222	8.75/222	8.75/222
Weight (lb./kg)	86/39	86/39	106/48

**Water Cooled**

33WC Models 4000 BTU/Hr. (1172 Watt)



Cutout Instructions

Visit [www.McLeanCoolingTech.com](http://www.McLeanCoolingTech.com) to download 2D and 3D CAD drawings into the overall design of your electronic system.

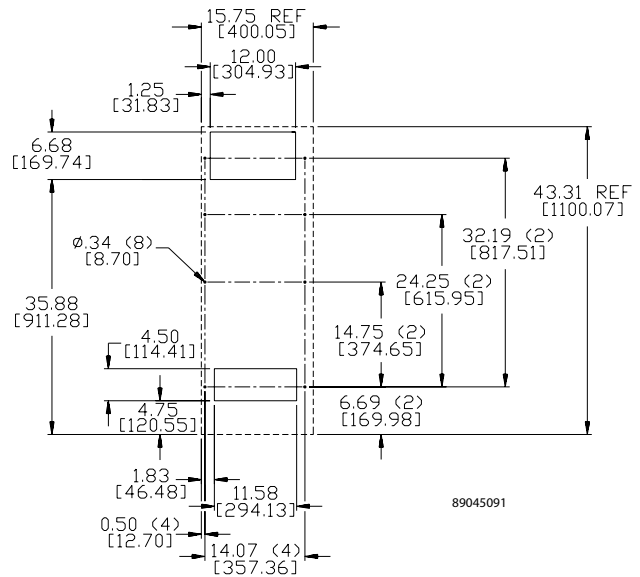
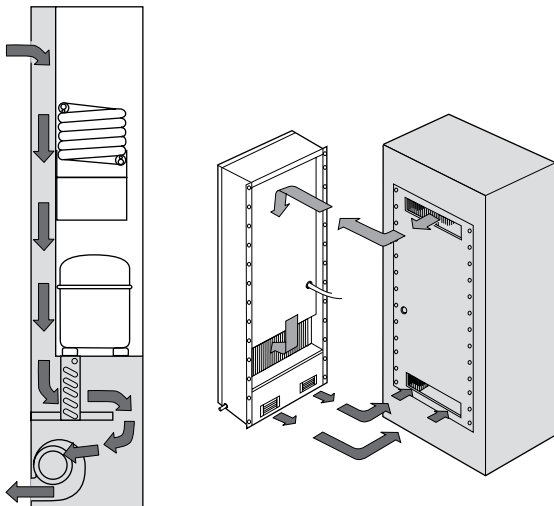
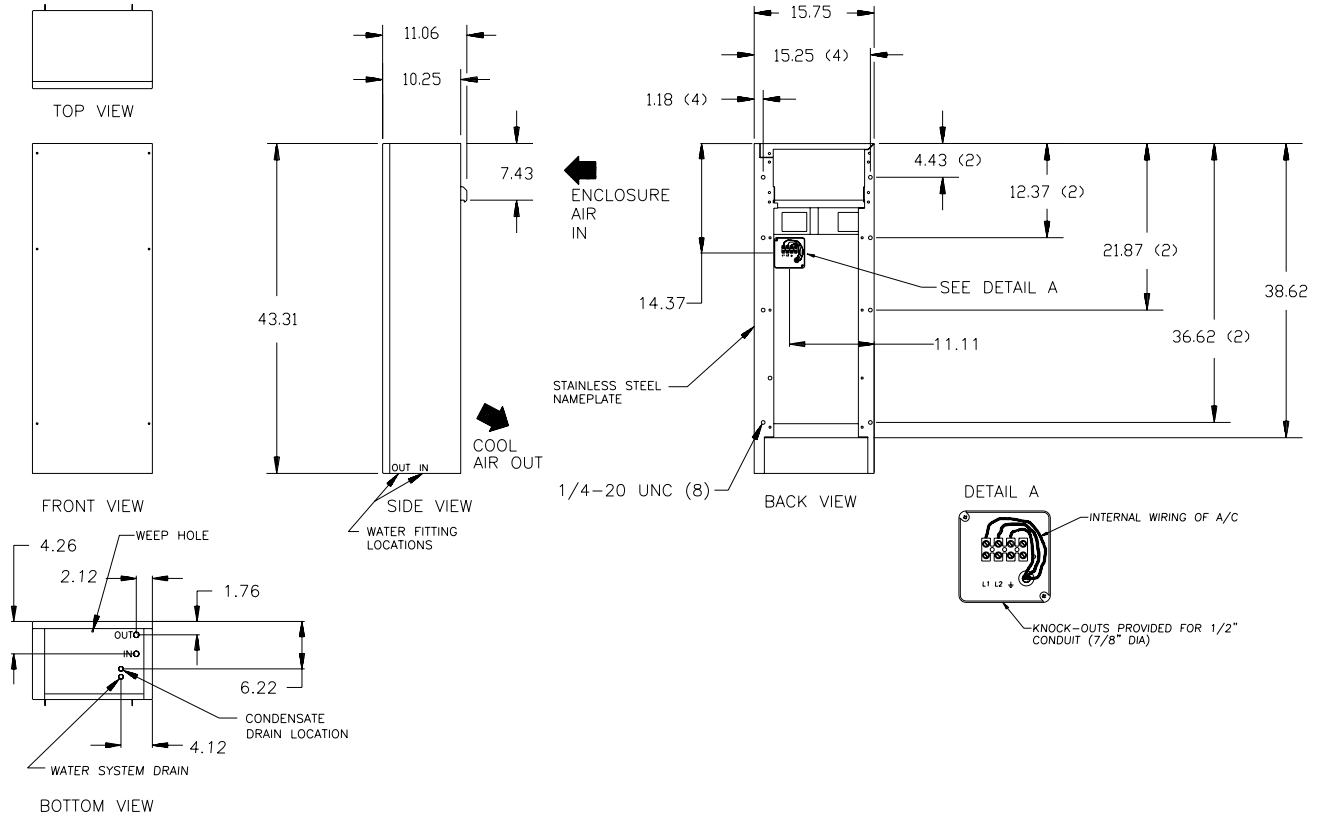
## Water Cooled

 Performance Data **CR43WC Models 8000 BTU/Hr. (2345 Watt)**

MODEL NUMBER	CR43-0816-GW0XX	CR43-0826-GW0XX
<b>COOLING PERFORMANCE</b>		
Nominal:		
<b>BTUs/Hr.</b>	<b>8500</b>	<b>8500</b>
<b>Watts</b>	<b>2490</b>	<b>2490</b>
Refrigerant	R-134A	R-134A
Refrigerant Charge (ounces/grams)	12/341	12/341
Operating Temperature Range:		
Maximum (°F/°C)	131/55	131/55
Minimum (°F/°C)	50/10	50/10
Air Flow at 0 Static Pressure:		
Internal loop 50 Hz (CFM/M <sup>3</sup> /Hr.)	135/229	100/170
External loop 50 Hz	WATERFLOW: 1.5 GPM @ 90 F	WATERFLOW: 1.5 GPM @ 90 F
Internal loop 60 Hz (CFM/M <sup>3</sup> /Hr.)	145/246	110/187
External loop 60 Hz	WATERFLOW: 1.5 GPM @ 90 F	WATERFLOW: 1.5 GPM @ 90 F
<b>ELECTRICAL DATA</b>		
<b>Rated Voltage</b>	<b>115</b>	<b>230</b>
Frequency (Hz)	50/60	50/60
Operating Range	+/- 10%	+/- 10%
Max. Power Consumption (Watts at 50/60 Hz)	1518/1495	1518/1495
Max. Nominal Current (Amps at 50/60 Hz)	13.2/13	6.6/6.5
Starting Current (Amps)	48.3	27
Agency Approvals	Not listed	cUL Listed CE
Power Input Description	NEMA 5-15 plug on 6-ft. cord	NEMA 6-15 plug on 6-ft. cord
<b>ENCLOSURE PROTECTION</b>		
UL Type	Type 4 Standard	
<b>CONTROLLER</b>		
Description	Basic Mechanical Thermostat	
Thermostat Location	Behind Front Cover	
Factory Thermostat Setting (°F/°C)	80/27	
<b>SOUND LEVEL</b>		
At 1.5 Meters	61 dBA	
<b>UNIT CONSTRUCTION</b>		
Material	Mild Steel Sheet Metal Standard Stainless Steel Optional	
Finish	Powder Coat RAL 7042 Gray Standard	
<b>UNIT DIMENSIONS</b>		
Height (in./mm)	43/1092	
Width (in./mm)	15.75/400	
Depth (in./mm)	10.9/279	
Weight (lb./kg)	86/39	

# Water Cooled

CR43WC Models 8000 BTU/Hr. (2345 Watt)



## Cutout Instructions

Visit [www.McLeanCoolingTech.com](http://www.McLeanCoolingTech.com) to download 2D and 3D CAD drawings into the overall design of your electronic system.

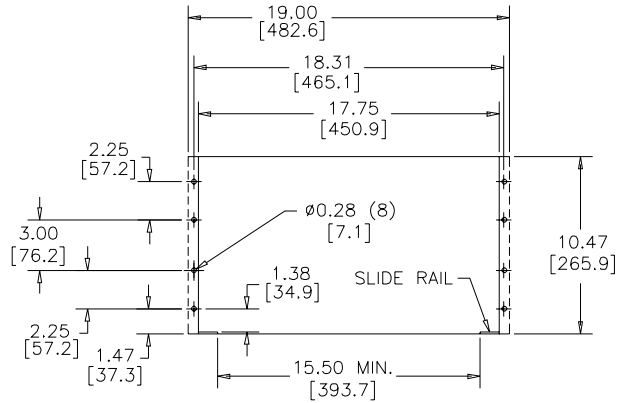
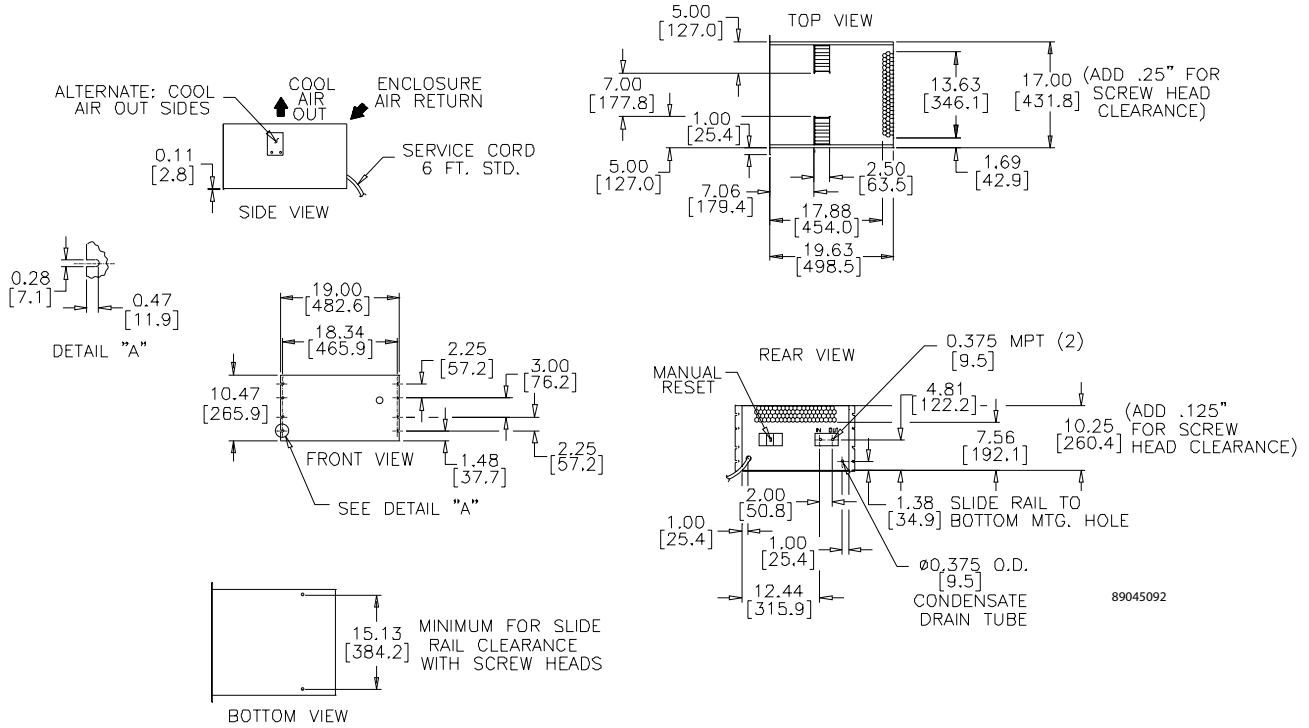
## Water Cooled

Performance Data **LB11WC Models 4000 BTU/Hr. (1172 Watt)**

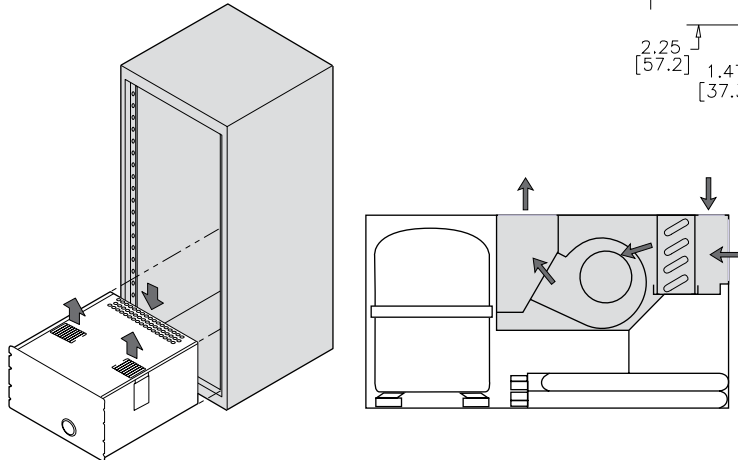
MODEL NUMBER	LB11-0416-GW008	LB11-0426-GW010
<b>COOLING PERFORMANCE</b>		
Nominal:		
<b>BTUs/Hr.</b>	<b>3900/4000</b>	<b>3900/4000</b>
<b>Watts</b>	<b>1142/1172</b>	<b>1142/1172</b>
Refrigerant	R-134A	R-134A
Refrigerant Charge (ounces/grams)	12/340	12/340
Operating Temperature Range:		
Maximum (°F/°C)	125/52	125/52
Minimum (°F/°C)	50/10	50/10
Air Flow at 0 Static Pressure:		
Internal loop 50 Hz (CFM/M <sup>3</sup> /Hr.)	135/229	100/170
External loop 50 Hz	WATERFLOW: 1.0 GPM @ 90 F	WATERFLOW: 1.0 GPM @ 90 F
Internal loop 60 Hz (CFM/M <sup>3</sup> /Hr.)	145/246	110/187
External loop 60 Hz	WATERFLOW: 1.0 GPM @ 90 F	WATERFLOW: 1.0 GPM @ 90 F
<b>ELECTRICAL DATA</b>		
<b>Rated Voltage</b>	<b>115</b>	<b>230</b>
Frequency (Hz)	50/60	50/60
Operating Range	+/- 10%	+/- 10%
Max. Power Consumption (Watts at 50/60 Hz)	885.5/828	897/792
Max. Nominal Current (Amps at 50/60 Hz)	7.7/7.2	3.9/3.6
Starting Current (Amps)	28	14.4
Agency Approvals	Not listed	cUL Listed CE
Power Input Description	NEMA 5-15 plug on 6-ft. cord	NEMA 6-15 plug on 6-ft. cord
<b>ENCLOSURE PROTECTION</b>		
UL Type	Type 12 Standard	
<b>CONTROLLER</b>		
Description	Basic Mechanical Thermostat	
Thermostat Location	Behind Front cover	
Factory Thermostat Setting (°F/°C)	80/27	
<b>SOUND LEVEL</b>		
At 1.5 Meters	61 dBA	
<b>UNIT CONSTRUCTION</b>		
Material	Mild Steel Sheet Metal Standard Stainless Steel Optional	
Finish	Powder Coat RAL 7042 Gray Standard	
<b>UNIT DIMENSIONS</b>		
Height (in./mm)	10.47/266	10.47/266
Width (in./mm)	19/483	19/483
Depth (in./mm)	19.63/499	19.63/499
Weight (lb./kg)	110/50	110/50

**Water Cooled**

LB11WC Models 4000 BTU/Hr. (1172 Watt)



**Cutout Instructions**



Visit [www.McLeanCoolingTech.com](http://www.McLeanCoolingTech.com) to download 2D and 3D CAD drawings into the overall design of your electronic system.